
ADDENDUM NO. 4

2020 Wastewater Treatment Plant Improvements Effluent Pump Station Rehabilitation Phase 4

CCE Project No. C0183
PEC PROJECT NO. 11557

Prepared for:

CITY OF COVINGTON
317 N. Jefferson Ave.
Covington, LA 70433



Prepared by:



PEC
PROFESSIONAL
ENGINEERING
CONSULTANTS
CORPORATION

7600 Innovation Park Drive
Baton Rouge, LA 70820
P: 225.769.2810
F: 225.769.2882
PECLA.com

ADDENDUM NO. FOUR (4)

DATE ISSUED: Friday, September 23, 2022

ORIGINAL BID DATE: Thursday, September 15, 2022

REVISED BID DATE: Thursday, September 29, 2022

BID TIME: 2:00 PM (Local Time)

This addendum shall be part of the Contract Documents as provided in the Instructions to Bidders.

The following items are issued to add to modify and clarify the Contract Documents. These items shall have full force and effect as the Contract Documents, and the costs involved shall be included in the Bid Prices.

Acknowledge receipt of the Addendum by inserting its number on Page 00300-1 of the Bid Documents. Failure to do so may subject the Bidder to disqualification.

CLARIFICATIONS

- 1.5' of debris is estimated to be at the bottom of the wet well. The Contractor may dispose of water and debris from the wet well to the equalization pond located on site, and the Contractor must coordinate with the Owner for any disposals to the equalization pond.
- Coating the wet well is not part of the scope for this project.

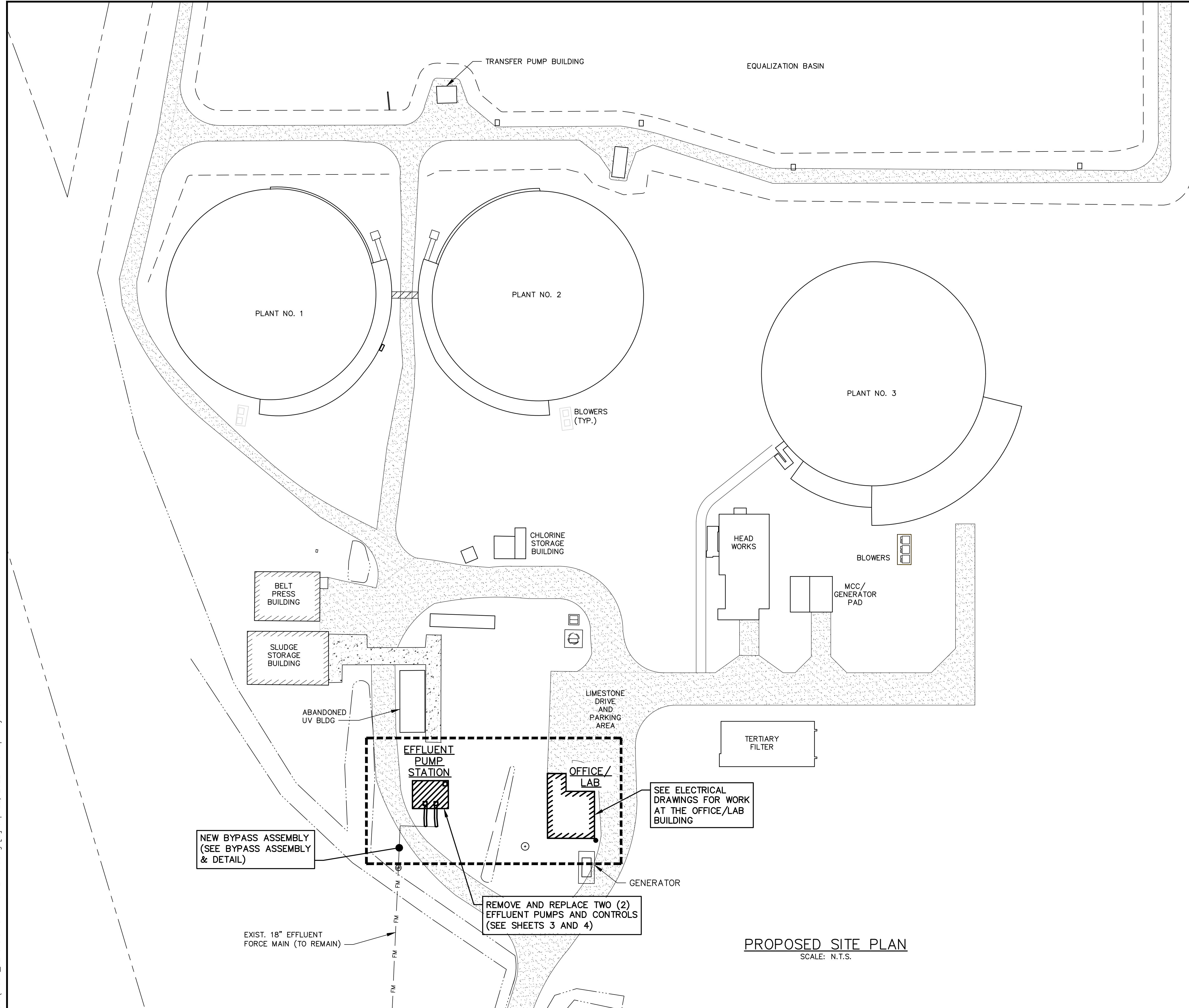
PLANS

- Remove and replace Sheet 2 with the attached Sheet 2R.
- Sheet 3, "Notes" near the bottom of the page, remove Note 7 in its entirety and replace with the following:

"7. ALL PUMPS, PIPING, AND VALVES SHALL BE REMOVED AND DISPOSED OF OFF SITE AT NO ADDITIONAL COST TO THE OWNER. CONTRACTOR TO VERIFY ALL DEMO'D MATERIAL AND EQUIPMENT WITH THE OWNER PRIOR TO DISPOSAL."
- Sheet 4, "Notes" near the bottom of the page, add the following:

"15. THE CONTRACTOR SHALL BE RESPONSIBLE FOR MAINTAINING ONE PUMP IN SERVICE AT ALL TIMES DURING CONSTRUCTION. IF SHUT OFF IS REQUIRED, THE CONTRACTOR MUST COORDINATE WITH THE OWNER AND MUST NOT EXCEED THE MAXIMUM ALLOWABLE PERIOD AS DETERMINED BY THE OWNER."
- Sheet 5, "Notes" under Steel Beam Support Structure, add the following:

"3. THE CONTRACTOR MAY MODIFY THE DIMENSIONS OF BEAM SPACING AND BASE PLATE AS NECESSARY TO ALLOW FOR THE REMOVAL OF EXISTING PUMPS."
- Add the attached "Bypass Assembly & Detail" to Sheet 5.



LEGEND:

----- WORK AREA

APPLIES TO ALL SHEETS:

UTILITY WARNING
 The Contractor is advised that existing overhead and underground utilities such as (but not limited to) electrical lines and poles, telephone cable, gas lines, water lines, and sanitary sewers exist in the rights-of-way where the proposed improvements are to be installed, all in accordance with the provisions of R.S. 38:2223. It shall be the Contractor's responsibility to protect these existing utilities during the construction of the work to be installed under this Contract and any damage to the existing utilities caused by the negligent acts of the Contractor shall be repaired by the Contractor at his expense. The Contractor shall contact Louisiana One (1) Call (1-800-272-3020) a minimum of 48 hours prior to beginning construction in the work area.

BACKGROUND INFORMATION OBTAINED FROM PINNACLE ENGINEERING, INC., COVINGTON, LA, PLAN SHEET C1.1 DATED MARCH 1, 2007.

PROPOSED SITE PLAN
 SCALE: N.T.S.

G:\11557\02 - Issued for Bid\11557_02 Overall Site Plan Exhibit.dwg [2] Sep 22, 2022 - 5:18pm by aw

09/2022	ADDENDUM NO. 4	TAA			
06/2022	ISSUED FOR BID	TAA			
04/2021	OWNER'S REVIEW	TAA			
DATE	REVISIONS	BY	DATE	REVISIONS	BY

CITY OF COVINGTON, LOUISIANA
 OWNER

**2020 WASTEWATER TREATMENT PLANT IMPROVEMENTS
 EFFLUENT PUMP STATION REHABILITATION PHASE 4
 PROPOSED SITE PLAN**
 TITLE

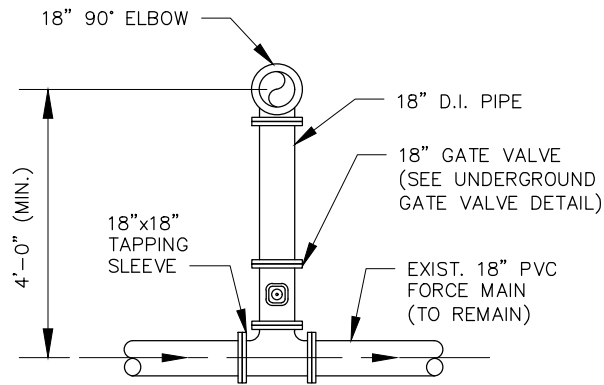
DESIGNED: TAA	SCALE: N.T.S.
DRAWN: PAV	DATE: DECEMBER 2020
CHECKED: BGH	
APPROVED: KAG	

PEC PROFESSIONAL ENGINEERING CONSULTANTS CORPORATION
 7600 Innovation Park Dr. | Baton Rouge, LA 70820 | 225.769.2810

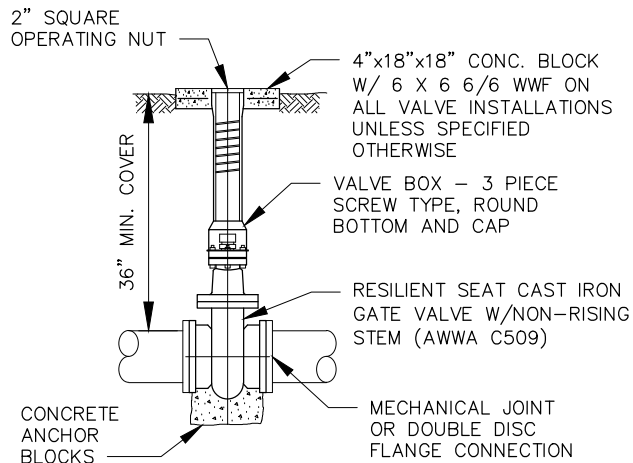


PROJECT NO. **11557**
 SHEET NO. **2R**

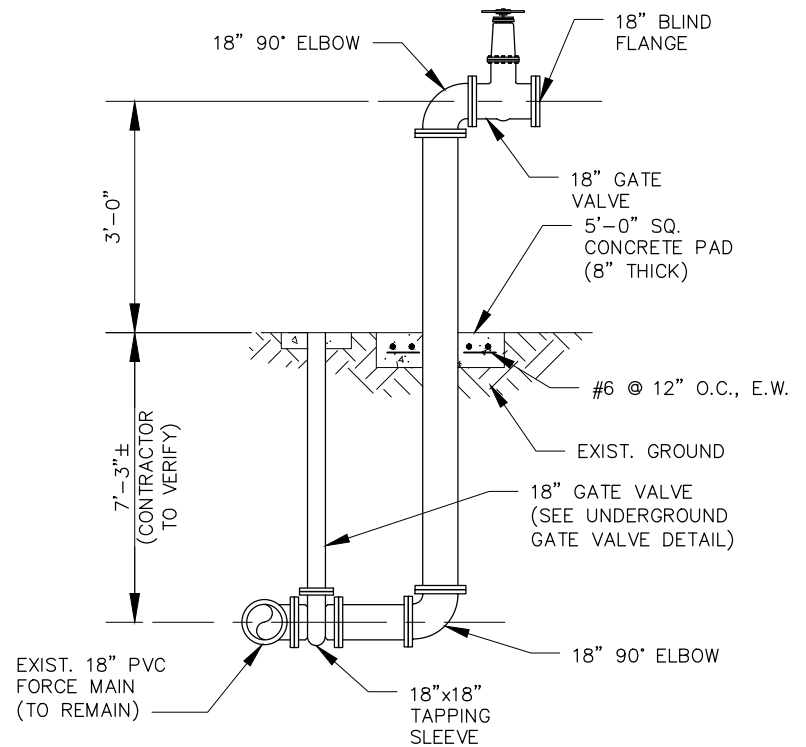
G:\11557\02 - Issued for Bid\11557_03-04 Pump Station Plans and Sections.dwg [8x11H] Sep 22, 2022 - 5:25pm by evu



PLAN
SCALE: N.T.S.



UNDERGROUND GATE VALVE DETAIL
N.T.S.



SECTION
SCALE: N.T.S.

NOTES:

1. CONTRACTOR TO VERIFY EXISTING PIPE SIZE AND LOCATION PRIOR TO ORDERING MATERIALS.
2. CONTRACTOR TO COORDINATE EXACT LOCATION AND ORIENTATION OF THE BYPASS ASSEMBLY WITH THE OWNER.
3. ALL PIPING SHALL BE DUCTILE IRON.
4. CONTRACTOR TO CLEAR AND GRUB AS NECESSARY AND RESTORE SITE TO EXISTING CONDITIONS. (NO DIRECT PAY)

CITY OF COVINGTON

OWNER

2020 WASTEWATER TREATMENT PLANT
IMPROVEMENTS
EFFLUENT PUMP STATION REHABILITATION PHASE 4
ADDENDUM NO. 4 – BYPASS ASSEMBLY & DETAIL
TITLE

SCALE:
N.T.S.

DATE:
SEPT. 2022



CCE PROJ. NO.

C0182

PEC PROJ. NO.

11557